



# STEELINE 40mm ROOF BATTEN

Steel roof battens can be used in conjunction with timber or steel trusses.

## Features

- Light, long and strong
- Embossed surface for grip and screw location
- End lapping over a truss for continuity and alignment
- Rolled safety edges
- Mitre cut both ends for hips and valleys

## Material Specification

Truecore® G550 - AM125  
Complies with AS.1397

## Base Metal Thickness

- .48
- .55
- .75 (not available in all locations)



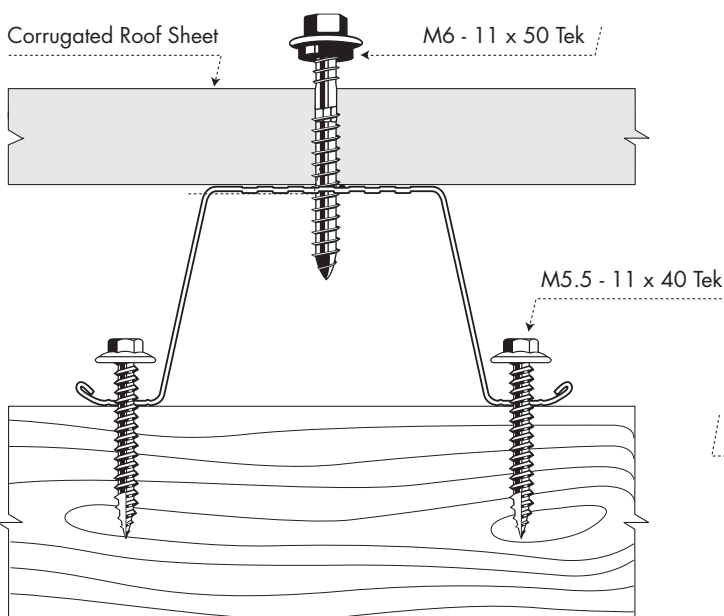
### Batten Support - G550/1.0mm BMT (2 x 12-14 Hex. Head Tek's per support)

Roof Sheet/no. of Screws	AS 4055 Wind Classification	Span on Roof	TH4048		TH4055		TH4075		TH4048		TH4055		TH4075		
			Double Batten Span						Triple Batten Span						
			Batten Span (mm)						Batten Span (mm)						
			900	1200	900	1200	900	1200	900	1200	900	1200	900	1200	
Corrugated 0.42/ 3 or 5 x #12-14 Hex. Head Tek's (Note 2) per support	N1	Single Span	700 (700)	700 (700)	700 (700)	700 (700)	700 (700)	700 (700)	700 (700)	700 (700)	700 (700)	700 (700)	700 (700)	700 (700)	700 (700)
		End Span	900 (900)	850 (850)	900 (900)	900 (900)	900 (900)	900 (900)	900 (900)	900 (900)	900 (900)	900 (900)	900 (900)	900 (900)	900 (900)
		Internal Span	1200 (1200)	1200 (1200)	1200 (1200)	1200 (1200)	1200 (1200)	1200 (1200)	1200 (1200)	1200 (1200)	1200 (1200)	1200 (1200)	1200 (1200)	1200 (1200)	1200 (1200)
	N2	Single Span	700 (700)	700 (700)	700 (700)	700 (700)	700 (700)	700 (700)	700 (700)	700 (700)	700 (700)	700 (700)	700 (700)	700 (700)	700 (700)
		End Span	900 (900)	610 (610)	900 (900)	770 (770)	900 (900)	900 (900)	900 (900)	720 (720)	900 (900)	900 (900)	900 (900)	900 (900)	900 (900)
		Internal Span	1200 (1200)	1120 (1120)	1200 (1200)	1200 (1200)	1200 (1200)	1200 (1200)	1200 (1200)	1200 (1200)	1200 (1200)	1200 (1200)	1200 (1200)	1200 (1200)	1200 (1200)
	N3	Single Span	700 (600)	700 (600)	700 (600)	700 (600)	700 (600)	700 (600)	700 (600)	700 (600)	700 (600)	700 (600)	700 (600)	700 (600)	700 (600)
		End Span	720 (720)	390 (390)	850 (750)	490 (490)	850 (750)	640 (640)	870 (750)	460 (460)	900 (750)	580 (580)	900 (750)	720 (720)	
		Internal Span	1200 (1050)	710 (710)	1200 (1050)	890 (890)	1200 (1050)	1150 (1050)	1200 (1050)	840 (840)	1200 (1050)	1050 (1050)	1200 (1050)	1200 (1050)	
	N4	Single Span	700	520	700	660	700	700	700	620	700	700	700	700	
		End Span	480	260	570	330	570	430	580	310	650	390	650	490	
		Internal Span	880	480	1040	600	1040	780	1060	570	1180	710	1180	880	

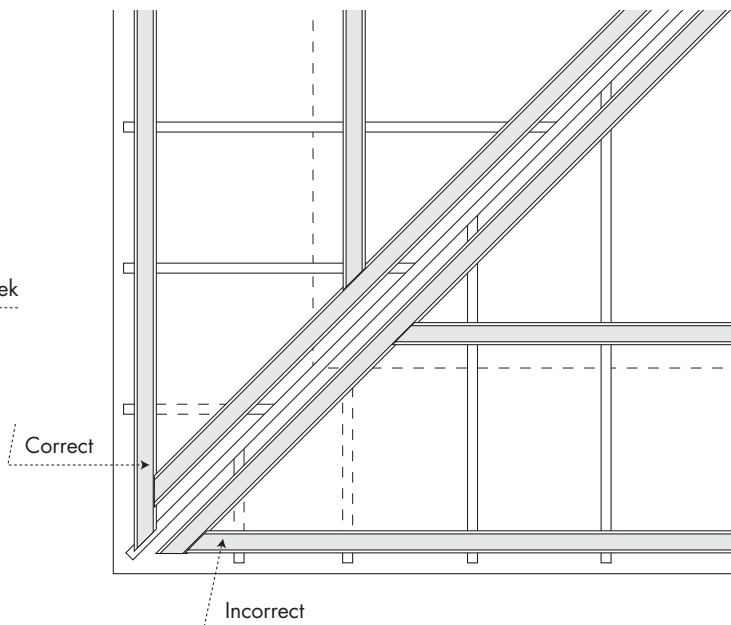
- Notes:
1. Roof sheet spans in brackets ( ) are for roof sheets connected with 3 screws per support.
  2. M6 Roof Zips may be used instead of #12-14 Roof Tek's. Refer to Steeline product brochure to obtain correct roofing screw lengths.
  3. Use #12-14x20mm Hex Head Tek's for fixing battens to steel supports and #12-11x40mm Hex Head Batten Zips for fixing to timber supports.
  4. Exposed roof battens are not trafficable.
  5. Table is valid for hardwood/softwood supports with either #10-12 or #12-11 Buildex Zips and a minimum embedment of 36mm.

### Maximum batten spacing for uplift forces - Corrugated (0.42 BMT)

## Fastening Roof Sheet to Batten



## Hips & Corners - Batten Layout





# STEELINE 40mm ROOF BATTEN

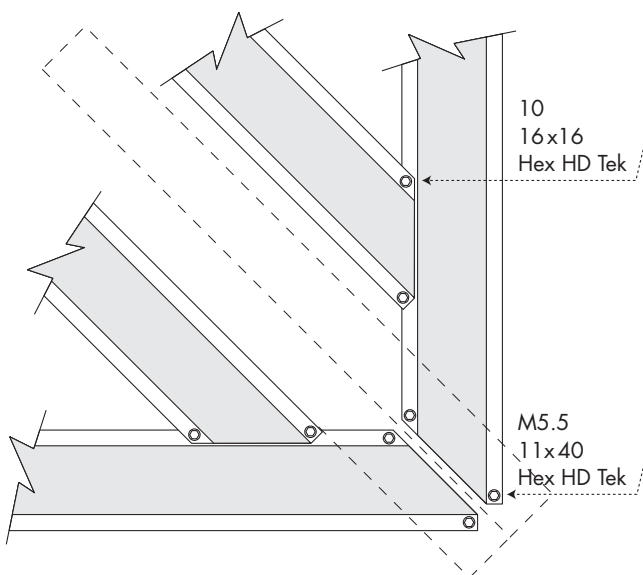


## Sectional Properties, Screw Capacities and Load Tables

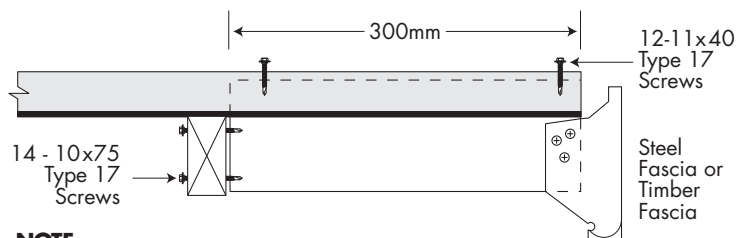
### Maximum Batten spacing for the Steeline range of Roofing Products

**Steeline Battens are straight, strong and mitre cut at both ends**

#### Corners - Mitre Cut

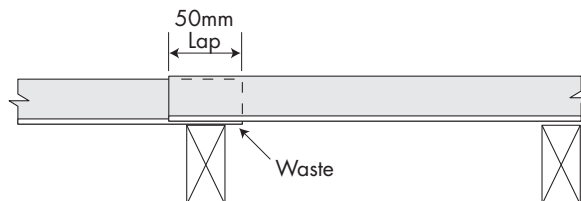


#### Overhangs/Lapped Joints



**NOTE**  
Engineering details required for batten exceeding 300mm overhang

Overhead	Timber Section
300	125 x (F11)



#### Spans/Overhang

