

ORDER FORM JH Stephenson - SnapLok 25 & 38 Roof & Wall Panel

Order Number _____ Order Date _____

Customer _____

Date Required _____

Delivery Address _____

Material Choice (Please Tick)

- Colorbond
- Colorbond Matt
- Colorbond Metallic
- Colorbond Ultra
- Galvanised

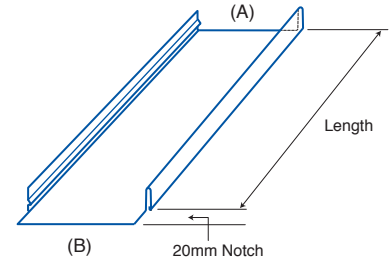
Colour Selection _____

Clips _____

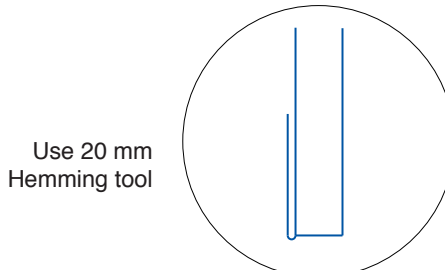
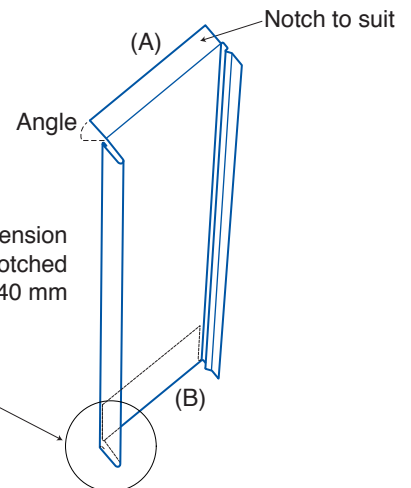
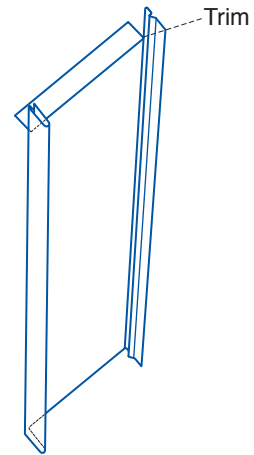
End Notches	(A)	(B)
Cut Length = Length	+	+



Rib Height	Standard Cover		Custom Cover
25mm	210	310	
38mm	180	280	



Cover	Quantity	Panel Length	Stop End Notch		Cut Length
			+ (A)	+ (B)	



Fold back Dimension to suit Notched Stop End 40 mm

OIL CANNING
Oil Canning is a characteristic that is inherent in thin gauge metals. Internal stresses, expansion and contraction can cause a wavy surface on flat panels. The Architect and Builder need to be aware of the aesthetic effect that oil canning can have on the project. Recommendations to reduce the effect of oil canning can be found on the jhstephenson.com web site.



GEELONG
152 Victoria Street North Geelong 3215
Fax 03 5274 6200

LAVERTON
11 Westside Drive Laverton North 3026
Fax 03 9314 5675

Phone 03 5274 6222 www.jhstephenson.com.au

