

# ORDER FORM JH Stephenson - NailStrip 25 & 38 Roof & Wall Panel

Order Number \_\_\_\_\_ Order Date \_\_\_\_\_

Customer \_\_\_\_\_

Date Required \_\_\_\_\_

Delivery Address \_\_\_\_\_

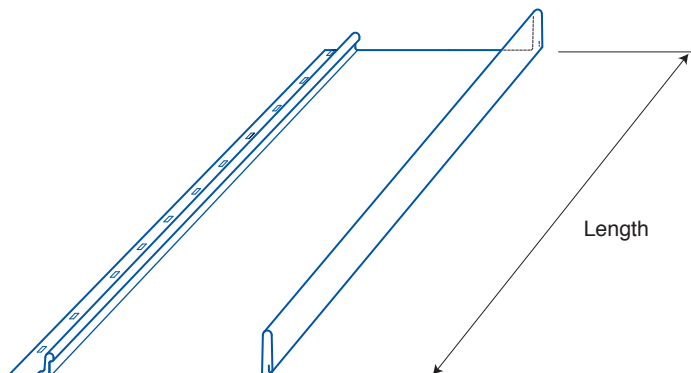


Rib Height	Standard Cover		Custom Cover
	185	285	
25mm			
38mm	255	315	

### Material Choice (Please Tick)

- Colorbond
- Colorbond Matt
- Colorbond Metallic
- Colorbond Ultra
- Galvanised

Colour Selection \_\_\_\_\_



Cover	Quantity	Panel Length

**OIL CANNING**  
 Oil Canning is a characteristic that is inherent in thin gauge metals. Internal stresses, expansion and contraction can cause a wavy surface on flat panels. The Architect and Builder need to be aware of the aesthetic effect that oil canning can have on the project. Recommendations to reduce the effect of oil canning can be found on the [jhstephenson.com](http://jhstephenson.com) web site.

**Colorbond®**

Established 1923



**GEELONG**  
 152 Victoria Street North Geelong 3215  
 Fax 03 5274 6200

**LAVERTON**  
 11 Westside Drive Laverton North 3026  
 Fax 03 9314 5675

**Phone 03 5274 6222 www.jhstephenson.com.au**